



## OPERATION

The Ruelco High/ Low Pressure Switch Assembly is a fully function safety system in a small compact package. It combines the pressure switches together in a pneumatic circuit to provide protection against a rise or drop in process pressure outside of the desired range. Simply connect the process pressure to the manifold, the instrument pressure to the low inlet, and the outlet to any pneumatic shutdown device. Instrument pressure will be supplied through the system when the process pressure is within the desired range. If process pressure deviates from the predetermined set point, the pressure switches will automatically act, venting the outlet signal and shutting the control valve. All fittings and manifolds are 316 stainless steel and every unit is pressure tested prior to leaving our facility.



## FEATURES

- 316 stainless steel construction (models to N.A.C.E MR0175 available)
- Standard base range 10-10,000 psi (with 1/4" piston option)
- Operating pressure range from .5 to 20,000 psi
- Holds constant and accurate set points
- Designed for 3% plus or minus repeatability on set points
- Minimum deadband between trip and reset pressure
- Spring may be replaced with instrument and sensing pressure present in the sensor

PRESSURE SWITCH ASSEMBLY

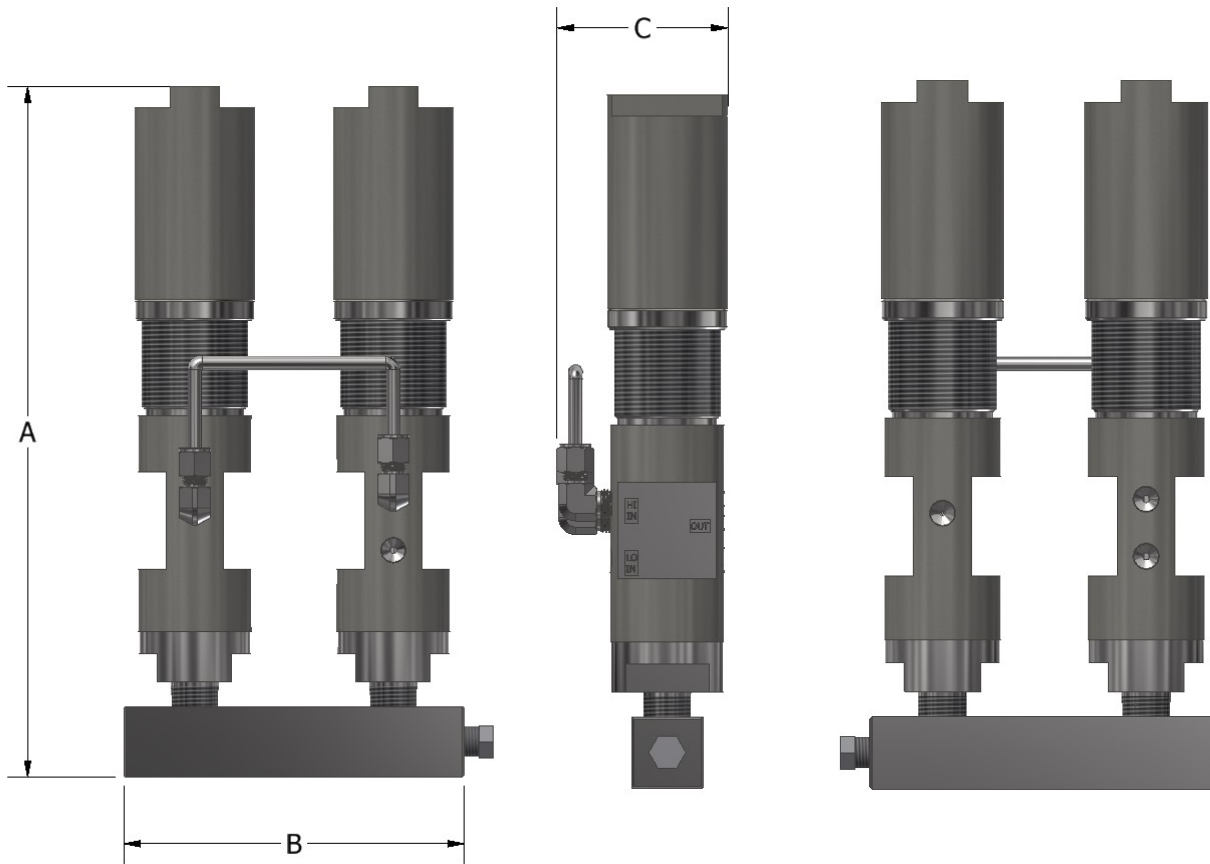
PHONE: 504-340-0055  
FAX: 504-340-0056  
EMAIL: SALES@RUELCO.COM

1209 DISTRIBUTORS ROW  
NEW ORLEANS, LA 70123



Proudly Distributed By

**TRIDENT** AUSTRALIA  
FLUID SYSTEMS & COMPONENTS



**PRESSURE SWITCH ASSEMBLY**

### DIMENSIONS

A (MAXIMUM)	12.85" (326.4 mm)
B	6.00" (152.4 mm)
C	3.00" (76.2 mm)
INSTRUMENT CONNECTION PORTS	1/4" FNPT
BOTTOM PROCESS CONNECTION	1/2" FNPT
SIDE TEST CONNECTION	1/4" FNPT

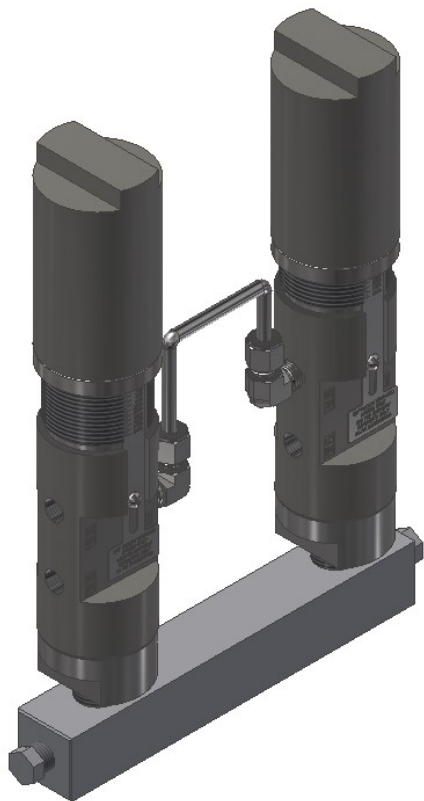
PHONE: 504-340-0055  
FAX: 504-340-0056  
EMAIL: SALES@RUELCO.COM

1209 DISTRIBUTORS ROW  
NEW ORLEANS, LA 70123



## OPERATION

The Ruelco High/ Low Pressure Switch Assembly with Scaled is a fully function safety system in a small compact package. It combines the pressure switches together in a pneumatic circuit to provide protection against a rise or drop in process pressure outside of the desired range. Simply connect the process pressure to the manifold, the instrument pressure to the low inlet, and the outlet to any pneumatic shutdown device. Instrument pressure will be supplied through the system when the process pressure is within the desired range. If process pressure deviates from the predetermined set point, the pressure switches will automatically act, venting the outlet signal and shutting the control valve. All fittings and manifolds are 316 stainless steel and every unit is pressure tested prior to leaving our facility.



## FEATURES

- 316 stainless steel construction (models to N.A.C.E MR0175 available)
- Standard base range 10-10,000 psi (with 1/4" piston option)
- Operating pressure range from .5 to 20,000 psi
- Holds constant and accurate set points
- Designed for 3% plus or minus repeatability on set points
- Minimum deadband between trip and reset pressure
- Spring may be replaced with instrument and sensing pressure present in the sensor

PRESSURE SWITCH ASSEMBLY-SCALED

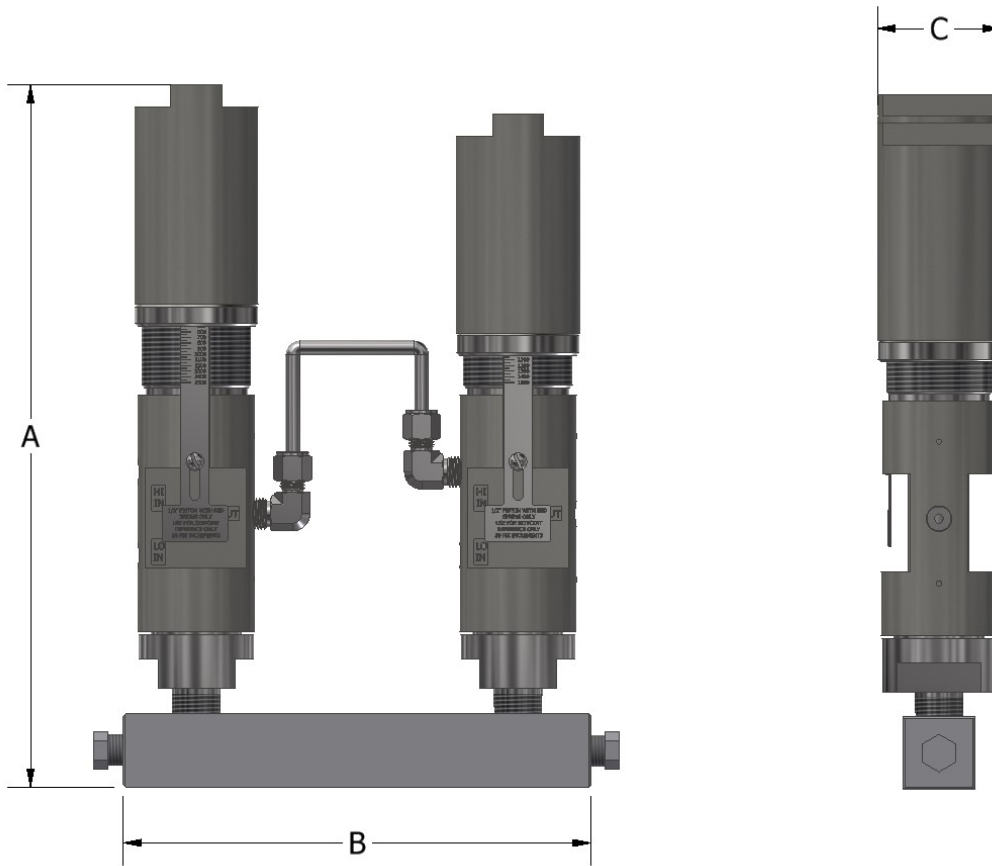
PHONE: 504-340-0055  
FAX: 504-340-0056  
EMAIL: SALES@RUELCO.COM

1209 DISTRIBUTORS ROW  
NEW ORLEANS, LA 70123



Proudly Distributed By

**TRIDENT** AUSTRALIA  
FLUID SYSTEMS & COMPONENTS



**PRESSURE SWITCH ASSEMBLY-SCALED**

### DIMENSIONS

A (MAXIMUM)	12.85" (326.4 mm)
B	8.00" (304.8 mm)
C	2.12" (53.8 mm)
INSTRUMENT CONNECTION PORTS	1/4" FNPT
BOTTOM PROCESS CONNECTION	1/2" FNPT
SIDE TEST CONNECTIONS	1/4" FNPT

PHONE: 504-340-0055  
FAX: 504-340-0056  
EMAIL: SALES@RUELCO.COM

1209 DISTRIBUTORS ROW  
NEW ORLEANS, LA 70123